

## Technical Information

No. FO 5597

Edition: 01/07 - subject to change

Substitutes: new

Status: valid



## Xenon Short Arc Lamp

# XBO<sup>®</sup> 2500 W/HS CL OFR

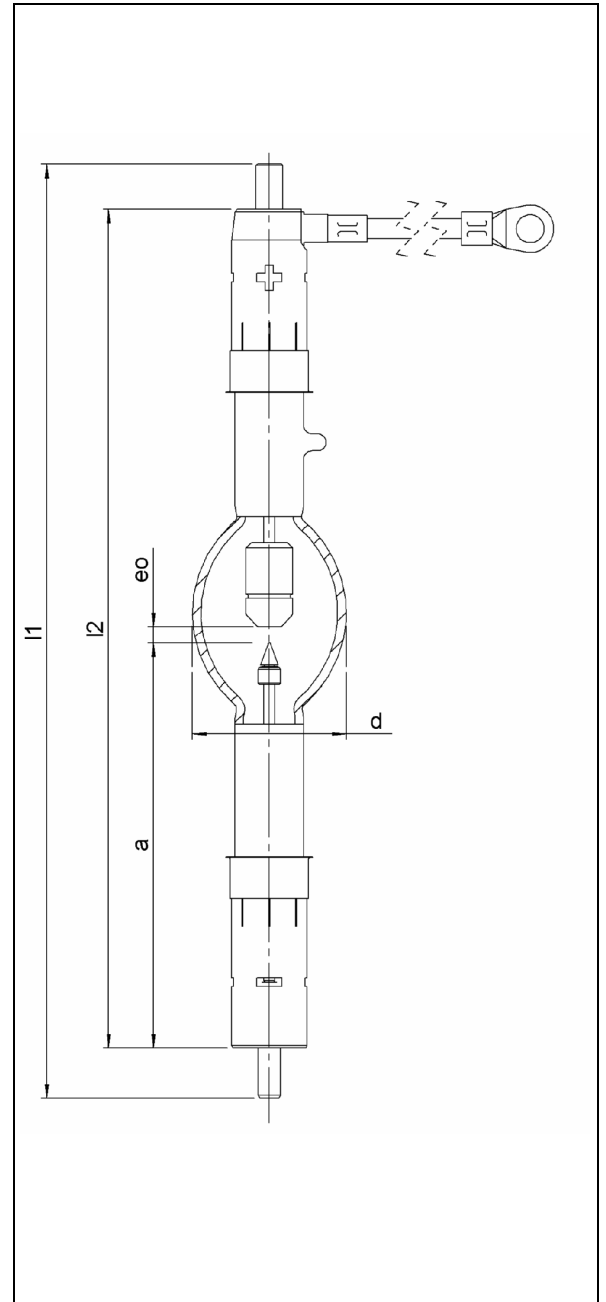
### ■ Product description

The OSRAM XBO<sup>®</sup> 2500 W/HS CL OFR is a DC-operated lamp that is especially suited for applications requiring excellent arc stability and a high luminance. The CL lamps, which stands for Classic Line, combines the classical Osram features with an optimization on bulb pricing and has the same warranty as the regular standard lamps.

### ■ Technical data

Order reference	XBO <sup>®</sup> 2500 W/HS CL OFR	
Rated lamp wattage	W	2500
Rated lamp voltage	V	28
Rated lamp current (=)	A	90
Current control range	A	70 - 100
Ignition voltage	kV <sub>s</sub>	33
Min. open circuit voltage for cold / hot ignition	V	75 / 90
Luminous flux	lm	100000
Luminous intensity	cd	10000
Average luminance	cd/cm <sup>2</sup>	80000
Luminous area w x h *)	mm	1.5 x 4.5
Electrode gap e (cold)	mm	5.5
Lamp length (overall) l <sub>1</sub>	mm	max. 342
Lamp length l <sub>2</sub>	mm	max. 302
LCL a	mm	145
Bulb diameter d	mm	55
Warranty	h	1500
Base	Cathode	SFa 27-7,9
	Anode	SFaX 27-9,5

\*) w = luminance half width value; h = height of luminous area (corresponds to electrode gap, hot)



### ■ Lamp operation

Maximum permissible base temperature	230°C
Cooling	forced cooling / fan
Min. air flow velocity around discharge vessel	6 m/s
Burning position	s 30 (vertical ± 30°; anode up) ; p 30 (horizontal ± 30°)